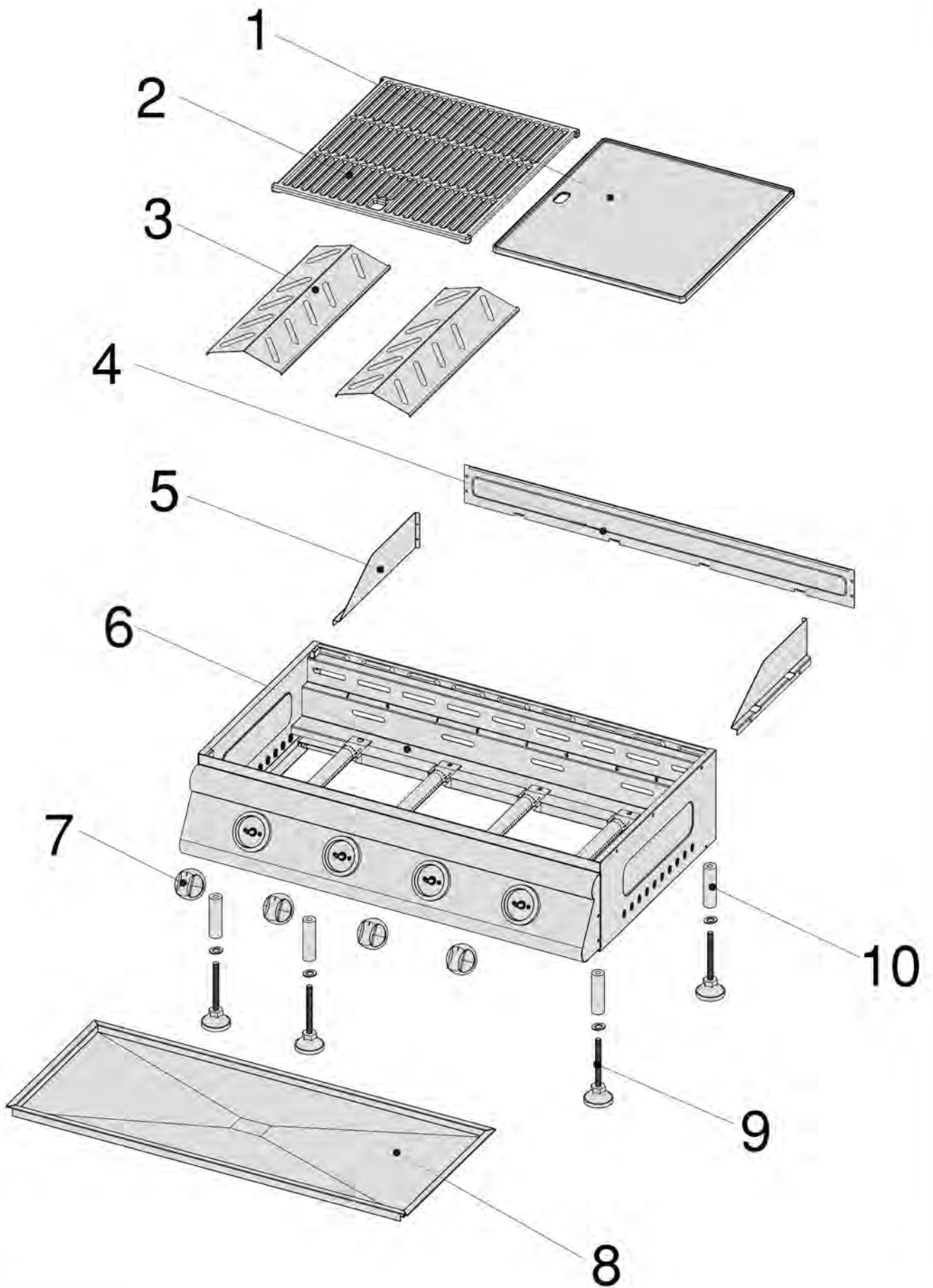



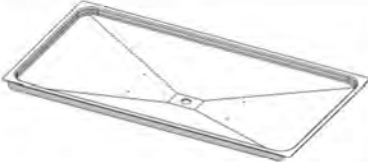



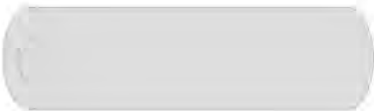
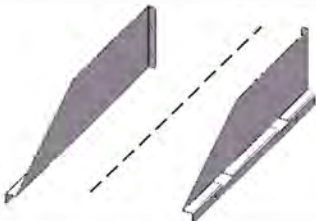





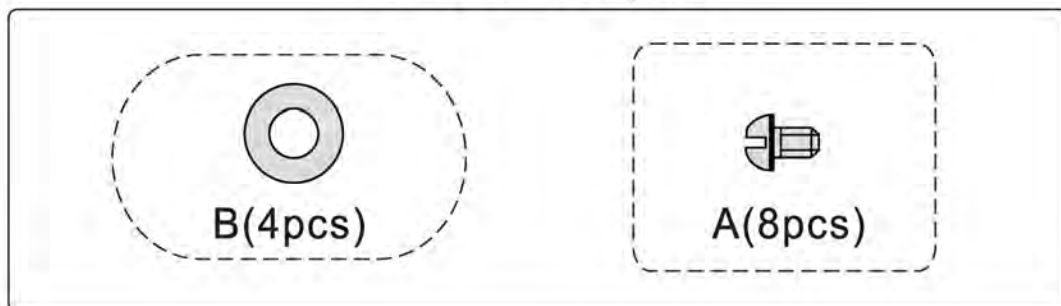
PH2



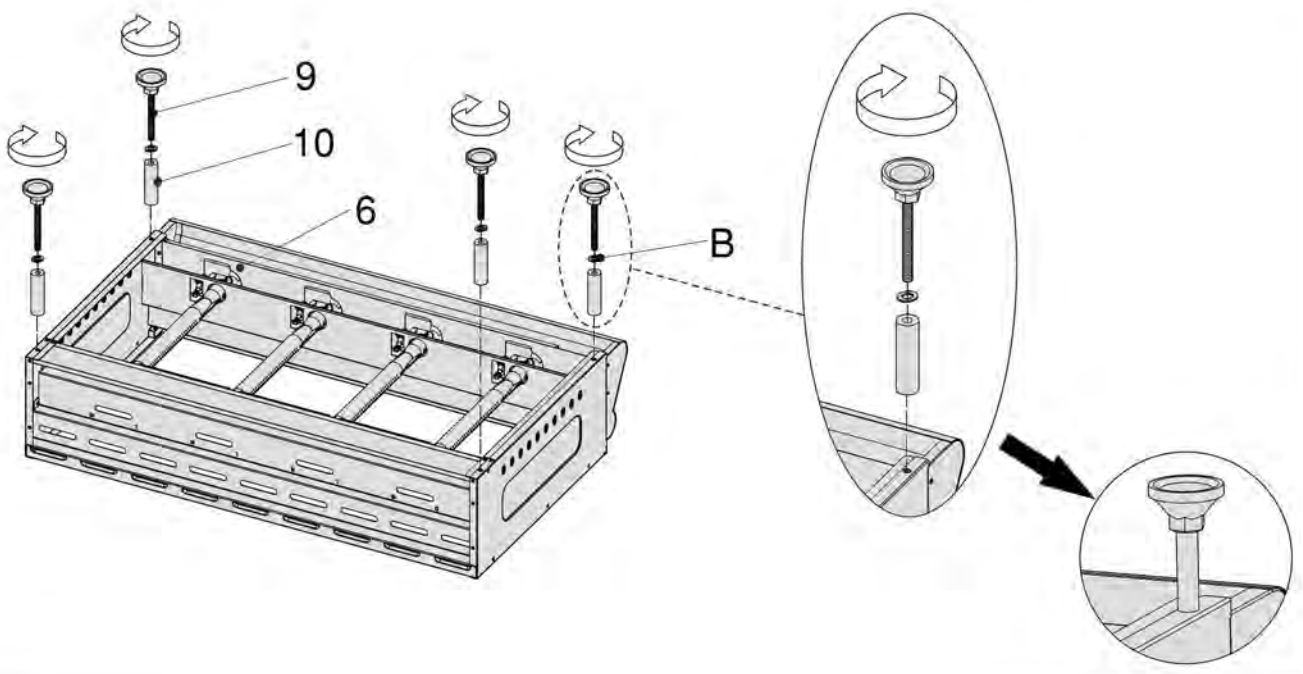


NO.	DESCRIPTION	QTY	NO.	DESCRIPTION	QTY
1		1	7		4
2		1	8		1
3		2	9		4
4		1	10		4
5		1	A	 M4X6	8
6		1	B	 M6	4

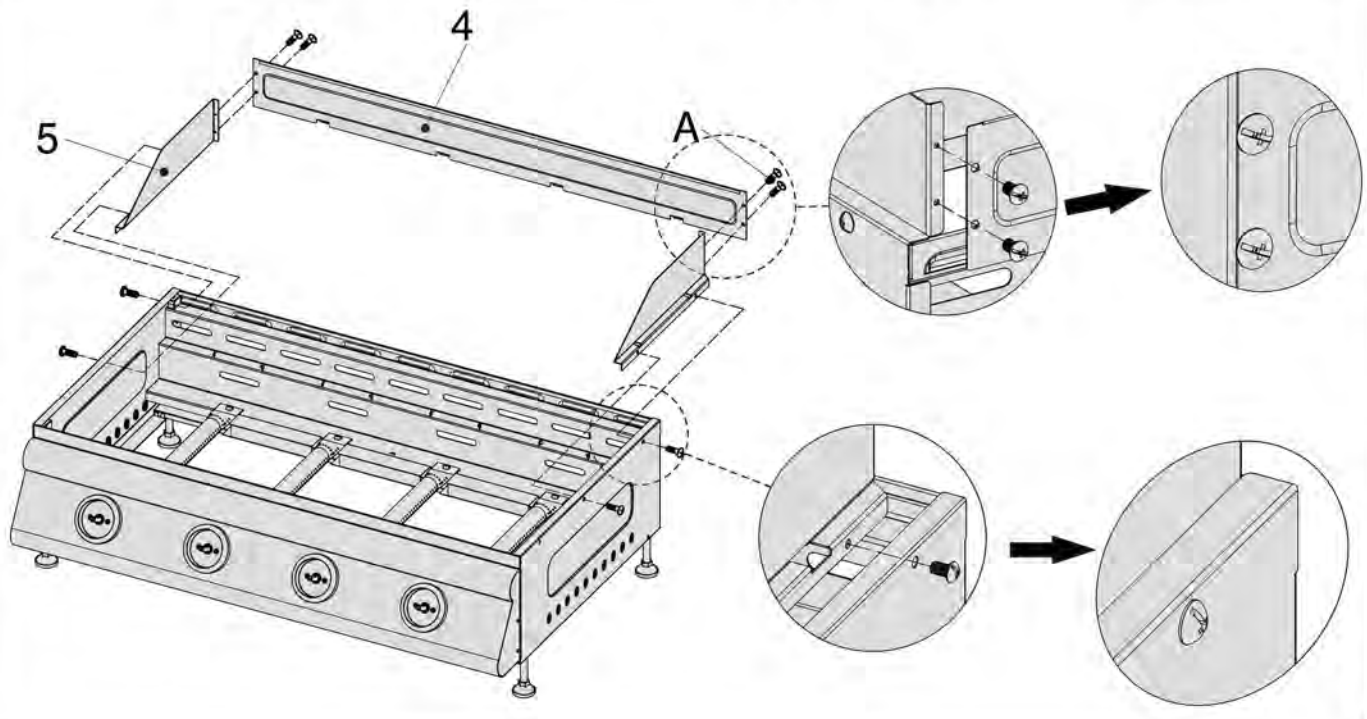
View of blister pack



1   X1  X4  X4  B X4 M6



2   X1  X1  A X8 M4X6



3

